

KC2-H-CD Two-Wire Conventional Heat Detector

STANDARD FEATURES

- **Dual Rate-of-Rise and Fixed-Temperature Sensor**
- **Compatible with Kidde Fire Systems AEGIS™ 2.0 and AEGIS™-XLT Conventional Control Units**
- **Self-diagnostic capability continually monitors operation**
- **Remote LED indicator available**
- **Low-profile design blends into the ceiling**
- **FM Approved**
- **cULus Listed**
- **California State Fire Marshal Listed**

DESCRIPTION



The KC2 Heat Detector is a conventional low-profile, self-diagnostic, two-wire detector which uses a dual rate-of-rise and fixed-temperature heat sensor to determine when to signal an Alarm condition. The rate-of-rise function quickly detects a fast, flaming fire. The fixed-temperature function detects fire when the air temperature near the detector exceeds the alarm point of 135 °F (nominal). When used

in conjunction with photoelectric smoke detection, this detector is suitable for commercial and industrial environments and life safety protection.

COMPATIBLE BASES

The KC2-H-CD detector head attaches easily to either a KC2-SB Standard or KC2-RB Relay Base. Detector bases have wiring terminals that are accessible from the “room-side” after mounting the base to the electrical box.

- **Model KC2-SB/-SB4 Standard Base:** Connects the detector to circuit.
- **Model KC2-RB/-RB4 Relay Base:** Connects the detector to circuit and provides optional Relay functionality to the KC2 series detector. (The base’s relay contacts automatically change state when detector goes into Alarm.)

TRIM SKIRT

A trim skirt is supplied with the KC2-SB4 and KC2-RB4 bases to help hide mounting tabs. The GSA-TS trim skirt may optionally be ordered for KC2-RB or KC2-SB bases if desired.

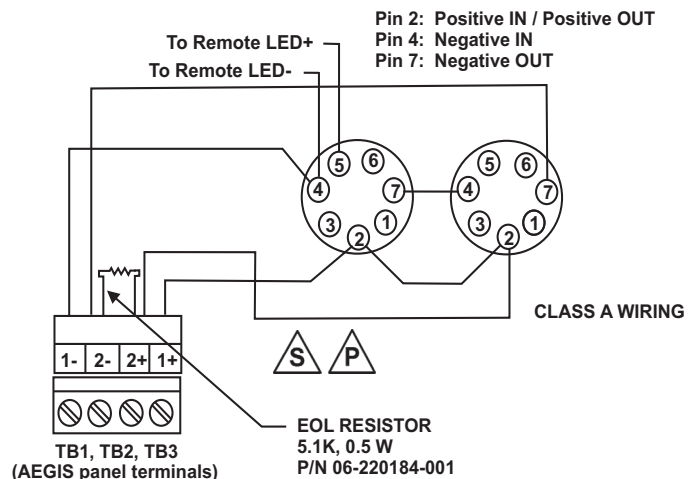
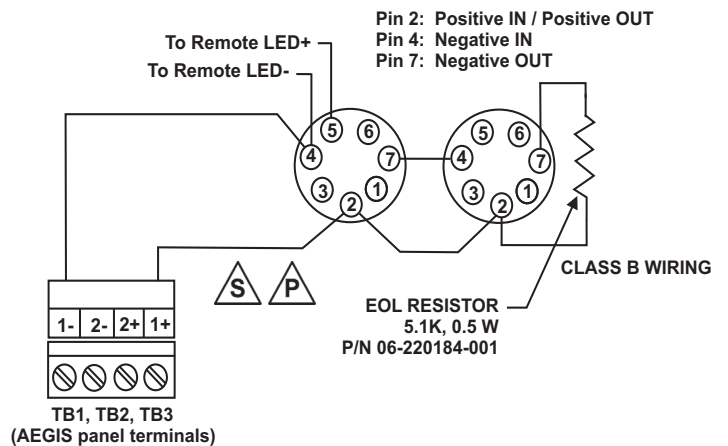
STATUS LED

KC2-H-CD detectors use an LED to indicate the detector’s condition. A flashing green LED every 30 seconds indicates Normal condition. A Trouble condition is indicated by a flashing green LED every 5 seconds. A steady red LED indicates an Alarm condition. An optional Remote LED Indicator is available for convenient viewing.

INSTALLATION

KC2 Standard and Relay bases mount to:

- North American single-gang box
- Octagon box 3-1/2 in. (89 mm) by 1-1/2 in. (38 mm) deep
- Octagon box 4 in. (102 mm) by 1-1/2 in. (38 mm) deep
- European single-gang box 75 mm with 60.3 mm fixing centers
- BESA box with 60.3 mm fixing centers
- Square box 4 in. (102 mm) by 1-1/2 in. (38 mm) deep (KC2-SB4 or KC2-RB4 base required)



TECHNICAL SPECIFICATIONS

Electrical/Environmental		Physical	
Operating Voltage	6.5 to 33 VDC	Color	White head and base
Standby Current	88 μ A at 18 VDC 145 μ A at 33 VDC	Detector Head Dimensions	4.375 in. D x 2.25 in. H (11.10 cm x 5.70 cm)
Alarm Current	up to 60 mA maximum, if not limited by control unit	Base Dimensions	4.4 in. D x 0.75 in. H (11.18 cm x 1.90 cm)
Remote LED Output Current	0.225 mA average (50 msec ON, 1 sec OFF)	Total Height (head and base)	2.625 in. (6.67 cm) H
Reset Voltage	2.5 V, maximum	ORDERING INFORMATION	
Reset Time	1 second, minimum	KC2-H-CD	Heat Detector, head only, two-wire
Vibration Level	10 to 35 Hz, with an amplitude of 0.01 in.	KC2-SB	Standard Base for KC2 Series Detectors with output for Remote LED, 4 in. diameter
Rate-of-rise	15 $^{\circ}$ F/min (8 $^{\circ}$ C/min)	KC2-SB4	Standard Base for KC2 Series Detectors with output for Remote LED, 4 in. diameter (with tabs for 4-in. square box; includes trim skirt)
Fixed Temperature	135 $^{\circ}$ F (57.2 $^{\circ}$ C)	KC2-RB	Relay Base for KC2 Series Detectors, 4 in. diameter
Actual Alarm Point	129 to 141 $^{\circ}$ F (53.9 to 60.6 $^{\circ}$ C)	KC2-RB4	Relay Base for KC2 Series Detectors, 4 in. diameter (with tabs for 4-in. square box; includes trim skirt)
Response Time Index (evaluated by FM Approvals)	Quick	GSA-TS	Optional Trim Skirt for KC2 Series Bases
Operating Temperature Range	32 $^{\circ}$ F to 100 $^{\circ}$ F (0 $^{\circ}$ C to 38 $^{\circ}$ C)	GSA-LED	Optional Remote LED Alarm Indicator (for use with KC2-SB and KC2-SB4 Standard Bases Only)
Relative Humidity Range	0 to 93% noncondensing	SIGA-RTA	Optional Removal Tool (attaches to standard telescoping pole)
Storage Temperature	-4 to 140 $^{\circ}$ F (-20 to 60 $^{\circ}$ C)		
LED Indicator	Normal = Green every 30 seconds Alarm = Steady Red Trouble = Green every 5 seconds		
UL Two-Wire Detector Compatibility Identifier	S10AR2		
Compatible Bases	KC2-SB, KC2-SB4, KC2-RB, KC2-RB4		
Maximum Spacing	50 ft. (15.2 m) centers		
Wall Mounting: Distance from Ceiling	12 in. (305 mm) maximum		

NOTE: Refer to Kidde Fire Systems Datasheet Number K-70-300 for smoke detector compatibility.

Kidde is a registered trademark of Kidde-Fenwal, Inc. or its parents, subsidiaries or affiliates.

This literature is provided for informational purposes only. KIDDE-FENWAL, INC. believes this data to be accurate, but it is published and presented without any guarantee or warranty whatsoever. KIDDE-FENWAL, INC. assumes no responsibility for the product's suitability for a particular application. The fire suppression system design, installation, maintenance, service and troubleshooting must be performed by trained, authorized Kidde Fire Systems distributors for the product to work correctly. If you need more information on this product, or if you have a particular problem or question, contact: KIDDE-FENWAL, INC., Ashland, MA 01721 USA, Telephone: (508) 881-2000.

